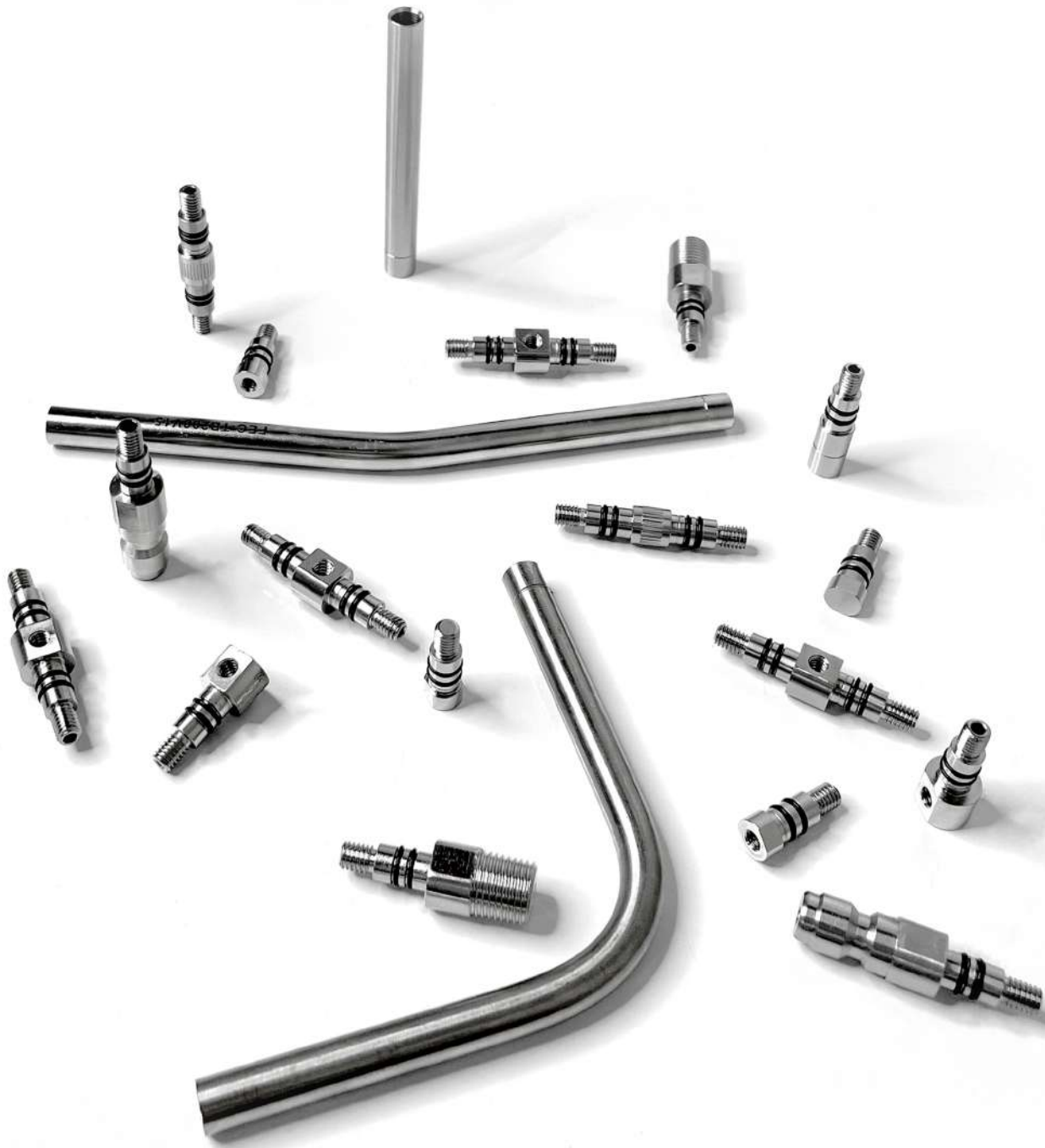




All filters in the world

FILTERTECH

FILTERTECH EASY CONNECTING SYSTEM



What is Easy Connecting?

This is an optimized piping system for the cooling fog system (evaporative cooling device).

The Easy Connecting method allows free installation on existing installations, curved structures, walls, etc., and it uses SUS304 material that has excellent aesthetics, pressure resistance, and corrosion resistance.




Easy Connecting is easy to disassemble and assemble with Filtertech's patented technology, which shortens the installation period and reduces costs accordingly.

In addition, Easy Connecting's unique joining method has significantly improved the possibility of leakage in high pressure environments.



FILTERTECH SLIPLOCK, FERRULE, EASYCONNECTING COMPARISON

Filtertech Slip Lock, Ferrule, Easy Connecting Comparison

	Sliplock	Ferrel	EasyConnecting
Combined Photo			
Installation method	One-touch coupling method	A method of joining using tools and strong force	Easy connection method with turnbuckle screw fastening method
Leakage probability	Due to the characteristics of the one-touch coupling method, there is a high probability of leakage.	Durability varies depending on the worker's skill level.	Filtertech's patented technology reduces the risk of leaks
Probability of freezing	High probability of freezing	There is a high probability that freezing will occur in joints or pipes.	Filtertech's patented technology reduces the risk of freezing
Installation Cost	On the cheap side	General	Relatively expensive
Durability	Low durability	High durability	High durability

01 Introduction

- 02 Easy Connecting Description
- 03 Sliplock/Ferral/Easy Connecting Comparison

02 Table of Contents

- 04 Full Table of Contents
- 05 EasyConnecting Products Table of Contents

03 Product

- 06 Product Details Page
- 18 Combination Example
- 19 Check Before Combining

04 Assembly

- 20 Straight(—) type assembly method
- 21 T type assembly method (T socket)
- 22 T type assembly method (ferrule)
- 23 Plus(+) type assembly method
- 24 Square(□) type assembly method
- 25 Hexagonal type assembly method
- 26 Circular(○) type assembly method

05 Certification Status

- 27 지적재산권 / 성능·품질 인증 현황

06 Construction Cases

- 28 Easy Connecting Construction Cases
- 31 Other Construction Cases



FILTERTECH EASYCONNECTING LIST

Filtech Easy Connecting Product List

End



Easy Connector M6 End
FEC-LED / FED-RED
..... 6P



Easy Connector M6:10/24
Nozzle End L Type
FEC-LEDLN1 / FED-REDLN1
..... 7P



Easy Connector M6:10/24
Nozzle End I Type
FEC-LEDIN1 / FED-REDIN1
..... 8P

Adapter



Easy Connector M6:3/8 Ferrule
FEC-LADST38 / FEC-RADST38
..... 9P



Easy Connector M6:1/4 QD
FEC-LADQD14 / FEC-RADQD14
..... 10P



Easy Connector M6:1/4 NPT
FEC-LADPT14 / FEC-RADPT14
..... 11P



Easy Connector M6:1/4 PF
FEC-LADPF14 / FEC-RADPF14
..... 12P

Tube



Easy Connector Tube M6
FEC-DTB0050 ~ FEC-DTB1000
..... 16P



Easy Connector Tube M6 15°
FEC-DTB200V15
..... 17P



Easy Connector Tube M6 30°
FEC-DTB200V30
..... 17P



Easy Connector Tube M6 45°
FEC-DTB200V45
..... 17P



Easy Connector Tube M6 60°
FEC-DTB200V60
..... 17P

Double Tube Connector



Easy Connector M6:M6 Joint
FEC-DTCN0
..... 13P



Easy Connector M6:10/24:M6
T-branch
FEC-DTCN1
..... 14P



Easy Connector M6:10/24
+(Plus) Branch
FEC-DTCN218~FEC-DTCN212
..... 15P



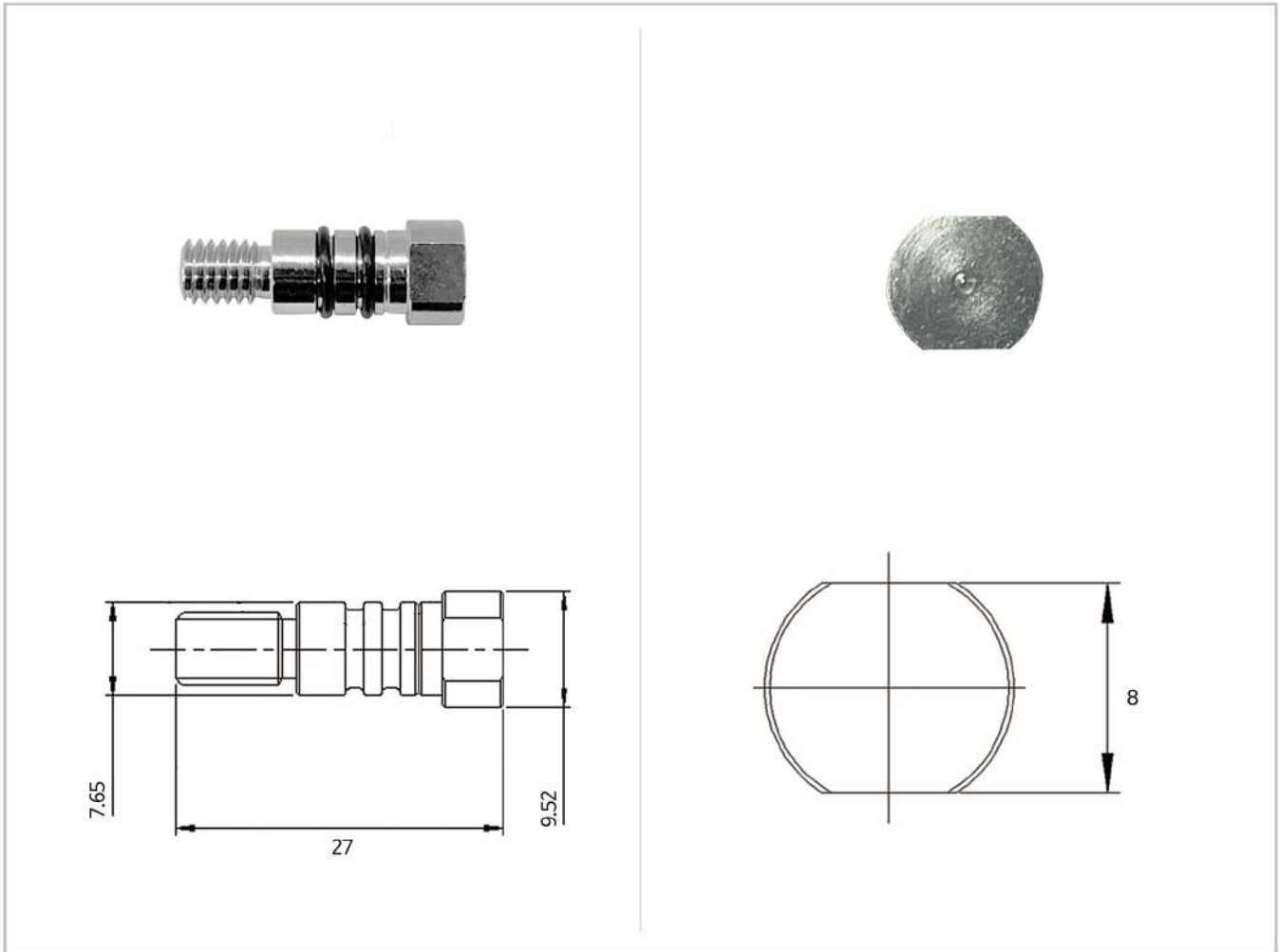
Easy Connector Tube M6 90°
FEC-DTB200V90
..... 17P



FEC-LED / FEC-RED Easy Connector M6 End

A part used as a finish at the end of a tube when not connecting a mist nozzle to the tube.

UNIT: MM



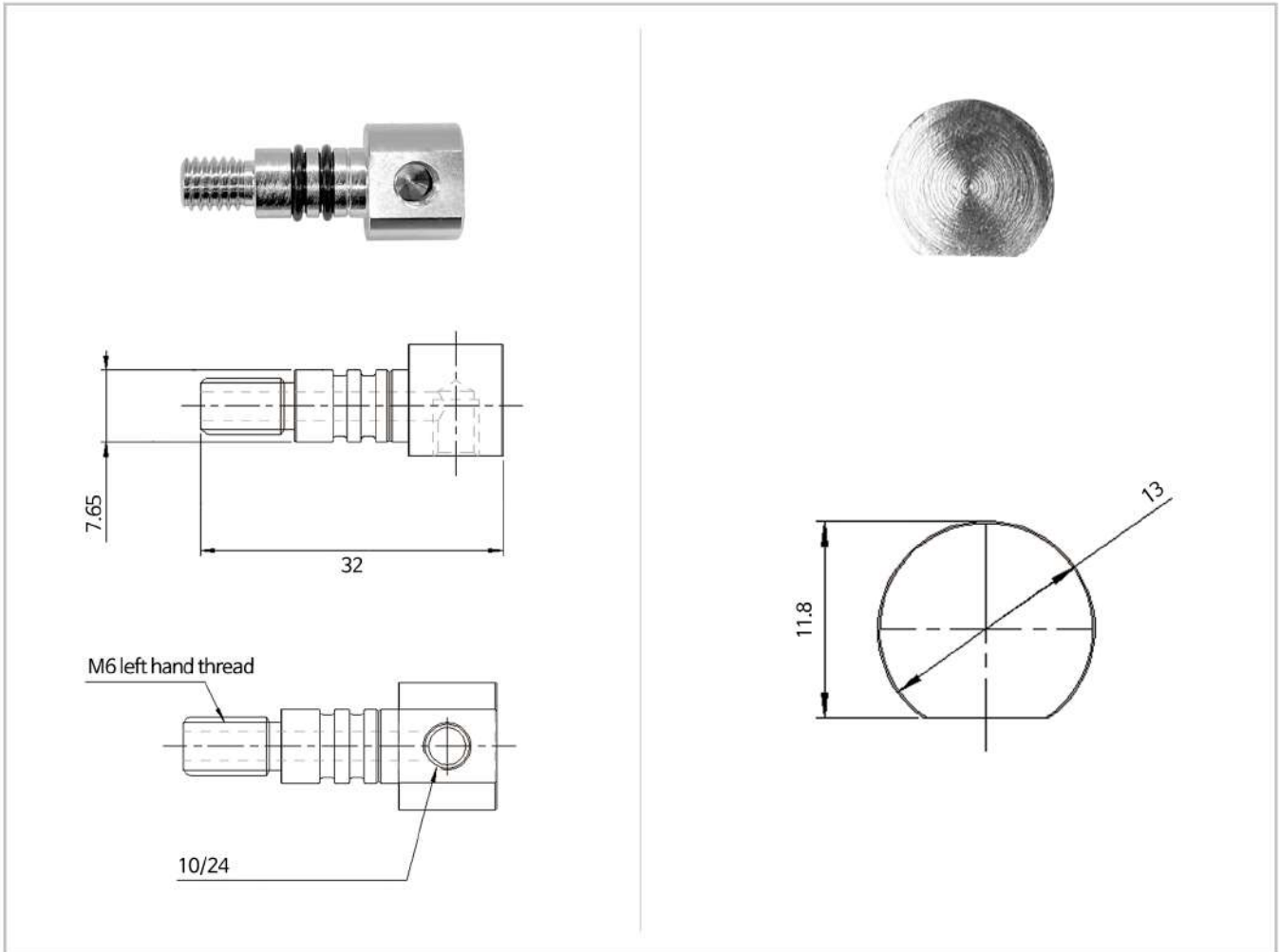
Model Name	Texture	Screw Size	Total length	Outer Diameter
Left FEC-LED Right FEC-RED	SUS304	M6	27	9.52



FEC-LEDLN1 / FEC-REDLN1 Easy Connector M6:10/24 Nozzle End L Type

A component used by vertically connecting a nozzle to the end of a tube

UNIT:MM



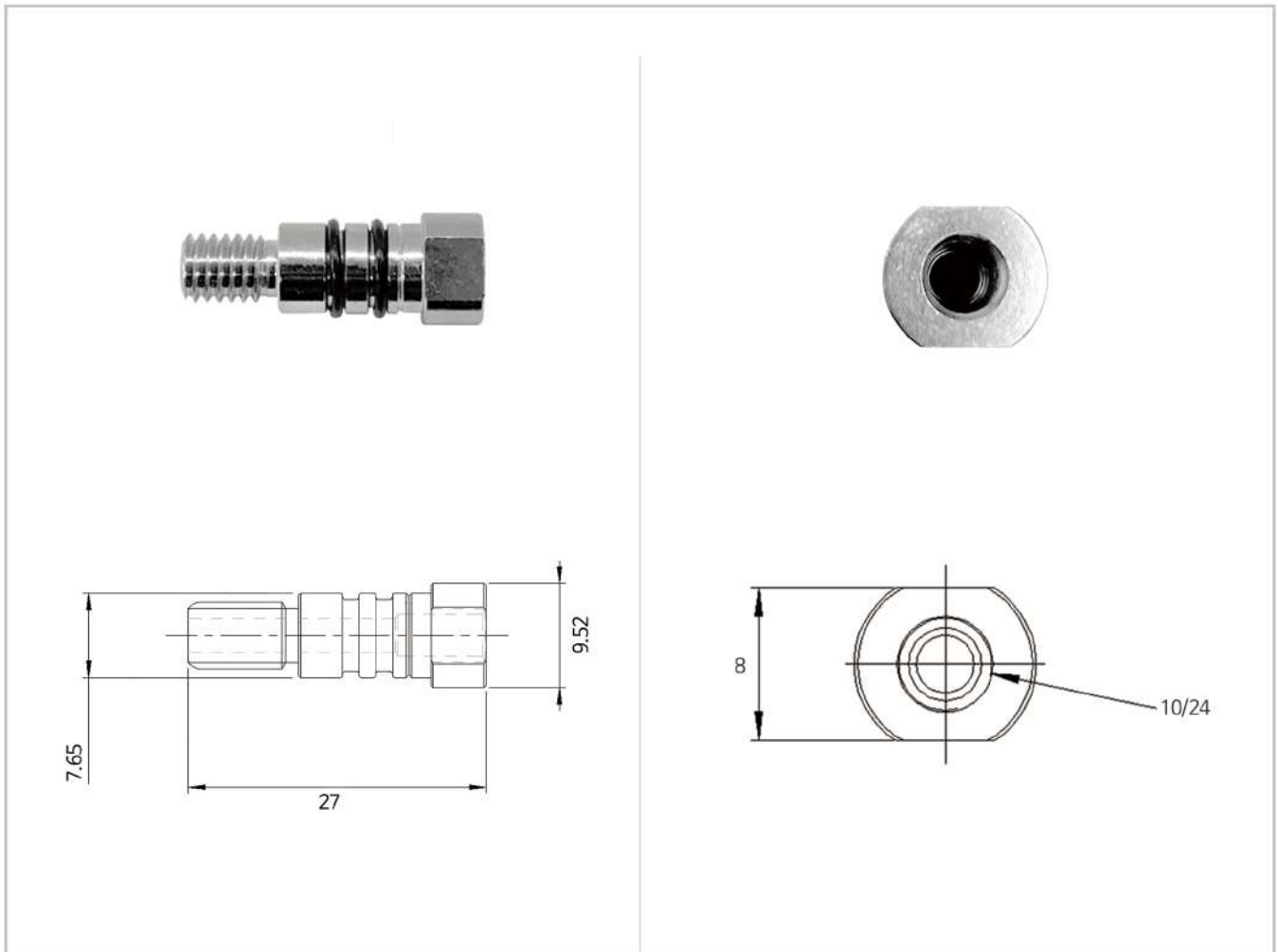
Model Name	Texture	Screw Size	Total length	Outer Diameter
Left FEC-LEDLN1 Right FEC-REDLN1	SUS304	M6:10/24	32	13



FEC-LEDIN1 / FEC-REDIN1 Easy Connector M6 Nozzle End I Type

A component used by connecting a nozzle horizontally to the end of a tube.

Unit: mm



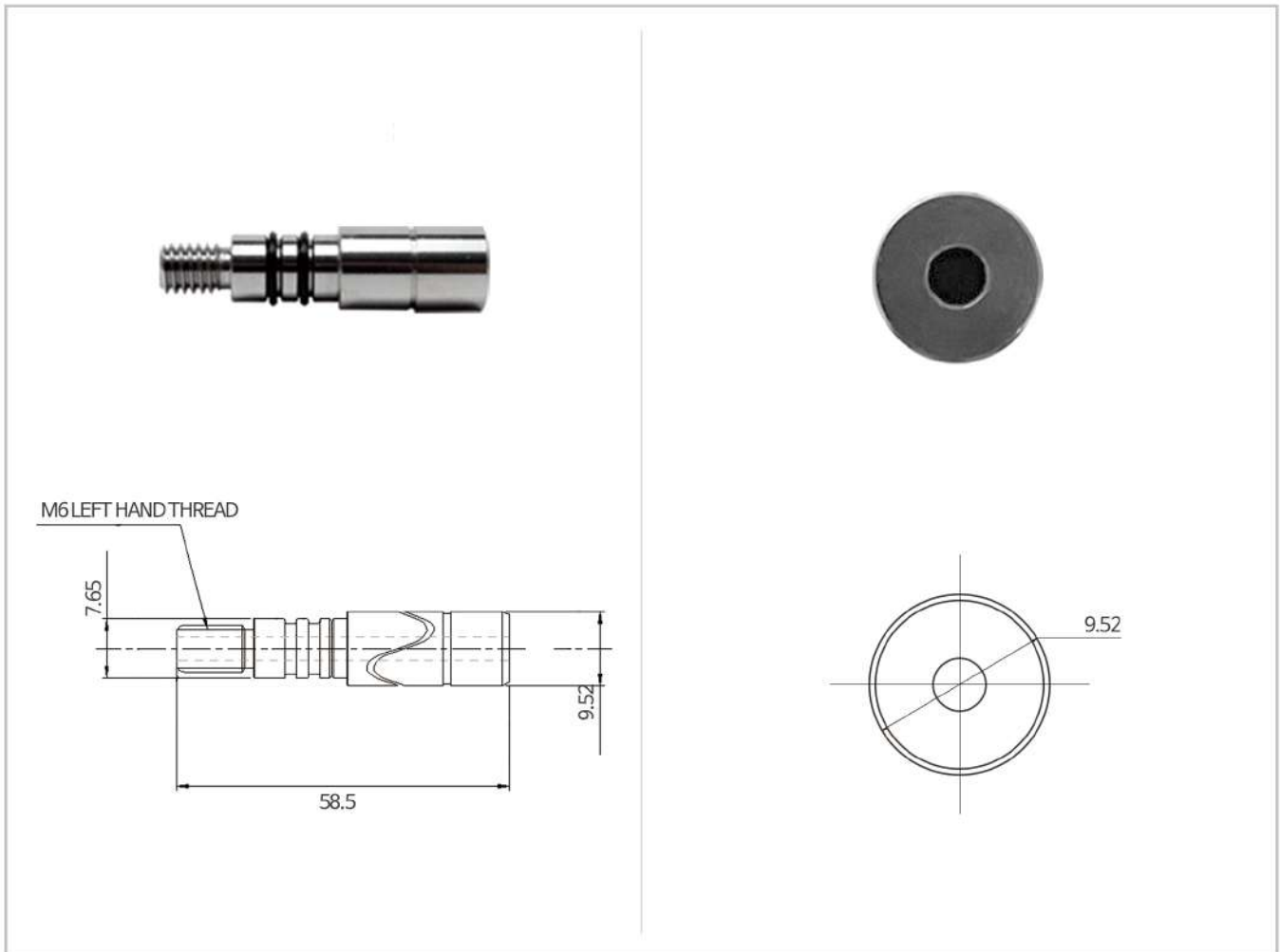
Model Name	Texture	Screw Size	Total length	Outer Diameter
Left FEC-LEDIN1 Right FEC-REDIN1	SUS304	M6:10/24	27	9.52



FEC-LADST38 / FEC-RADST38 Easy Connector M6:3/8 Ferrule

Parts for connecting easy connector tubes and slip lock or lock fittings

Unit: mm



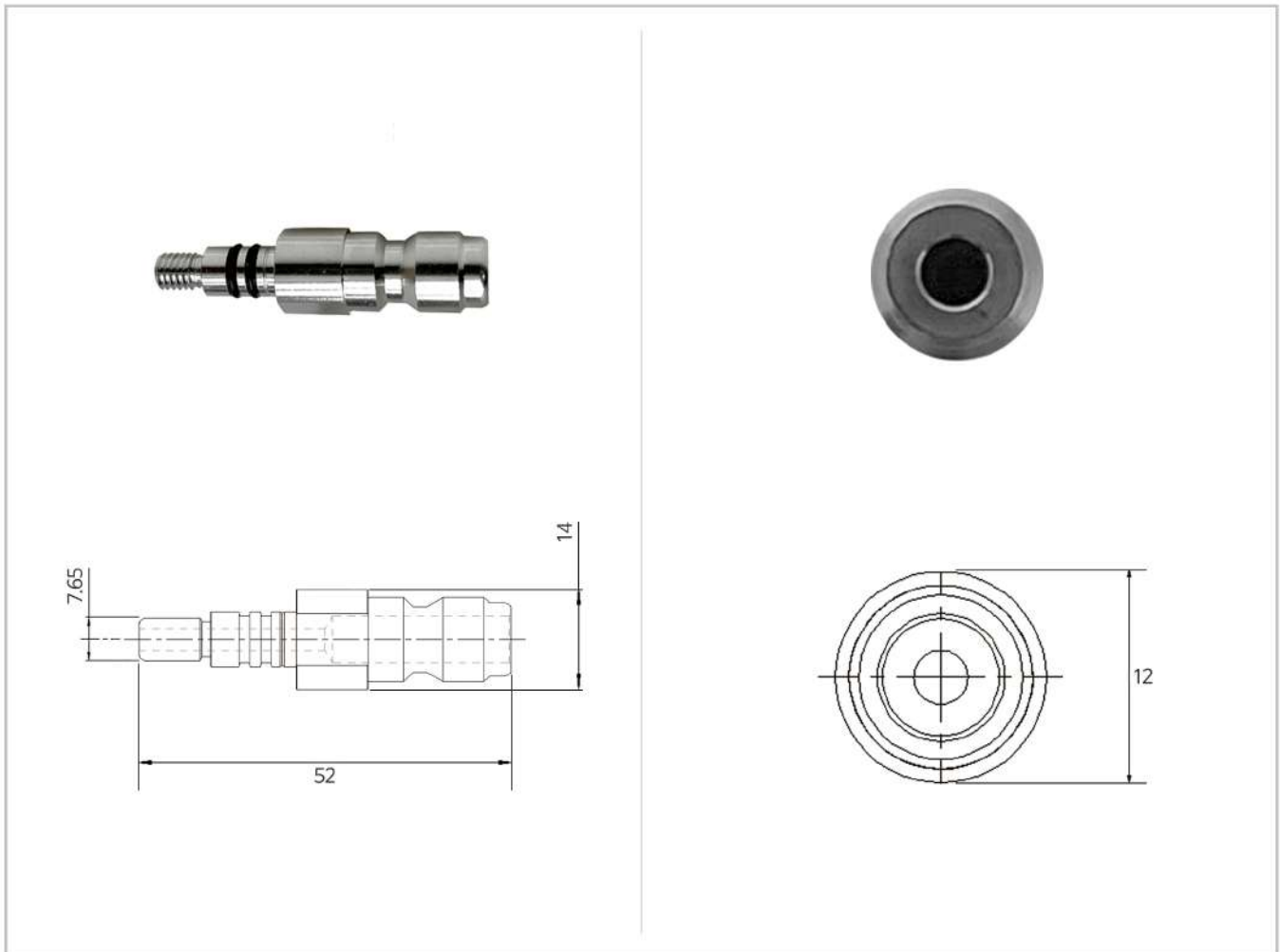
Model Name	Texture	Screw Size	Total length	Outer Diameter
Left FEC-LADST38 Right FEC-RADST38	SUS304	M6:3/8	58.5	9.52



FEC-LADQD14 / FEC-RADQD14 Easy Connector M6:1/4 QD

Parts for connecting easy connector tubes and quick connectors

Unit: mm



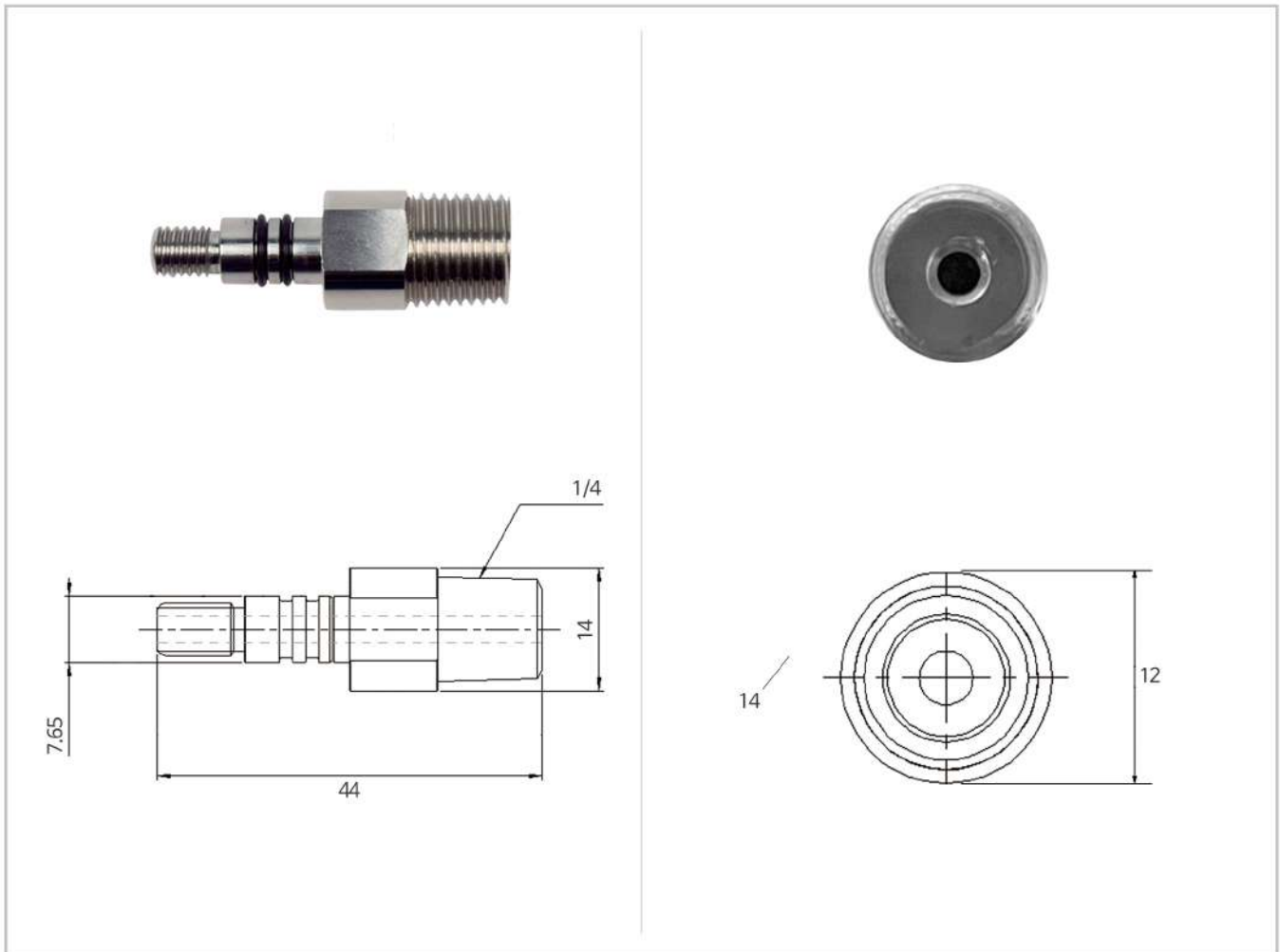
Model Name	Texture	Screw Size	Total length	Outer Diameter
Left FEC-LADQD14 Right FEC-RADQD14	SUS304	M6:1/4	52	14



FEC-LADPT14 / FEC-RADPT14 Easy Connector M6:1/4 NPT

Parts for connecting easy connectors to 1/4 inch pipe materials

Unit: mm



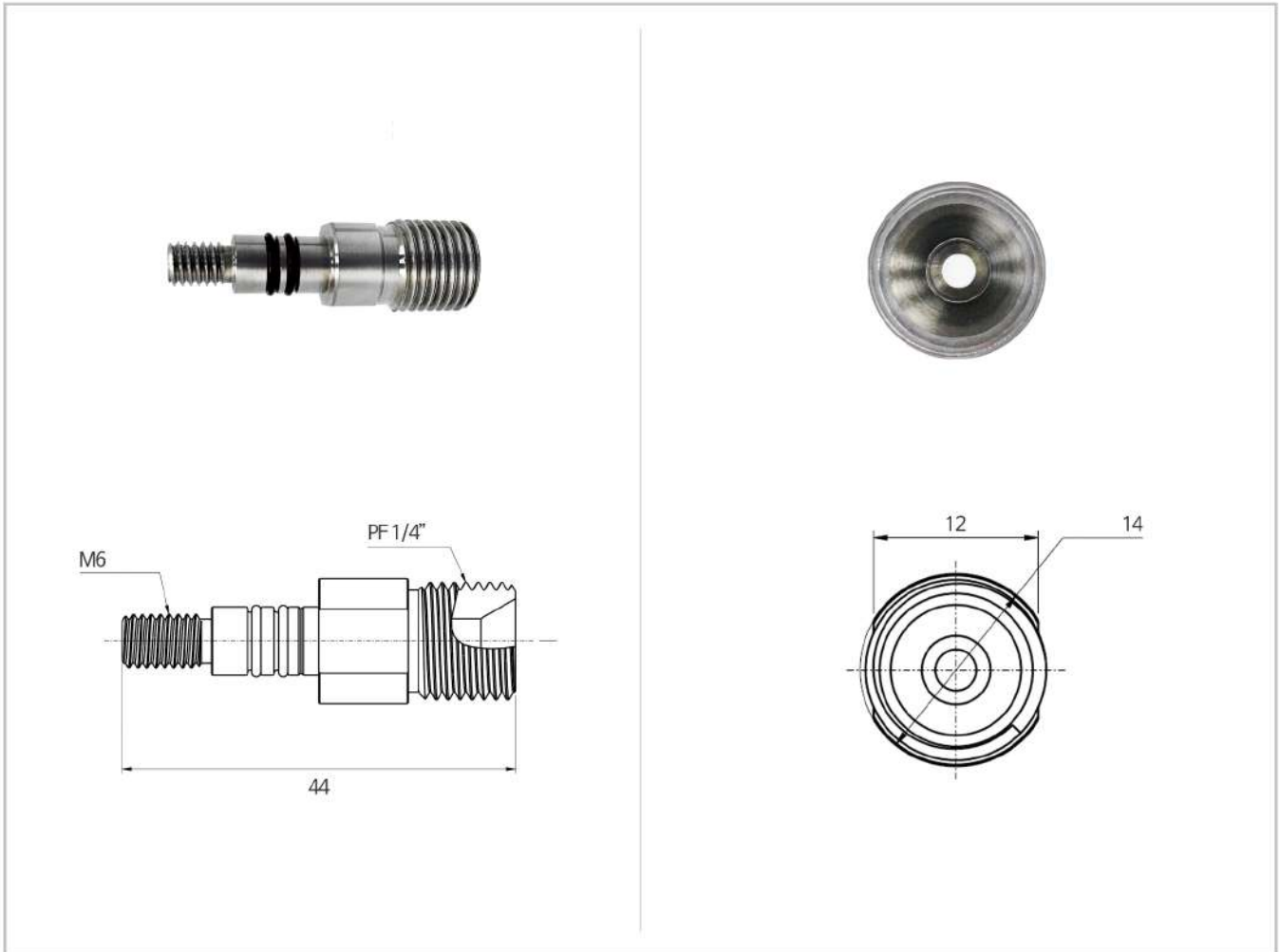
Model Name	Texture	Screw Size	Total length	Outer Diameter
Left FEC-LADPT14 Right FEC-RADPT14	SUS304	M6:1/4	44	14



FEC-LADPF14 / FEC-RADPF14 Easy Connector M6:1/4 PF

Parts for connecting easy connectors to 1/4 inch pipe materials

Unit: mm



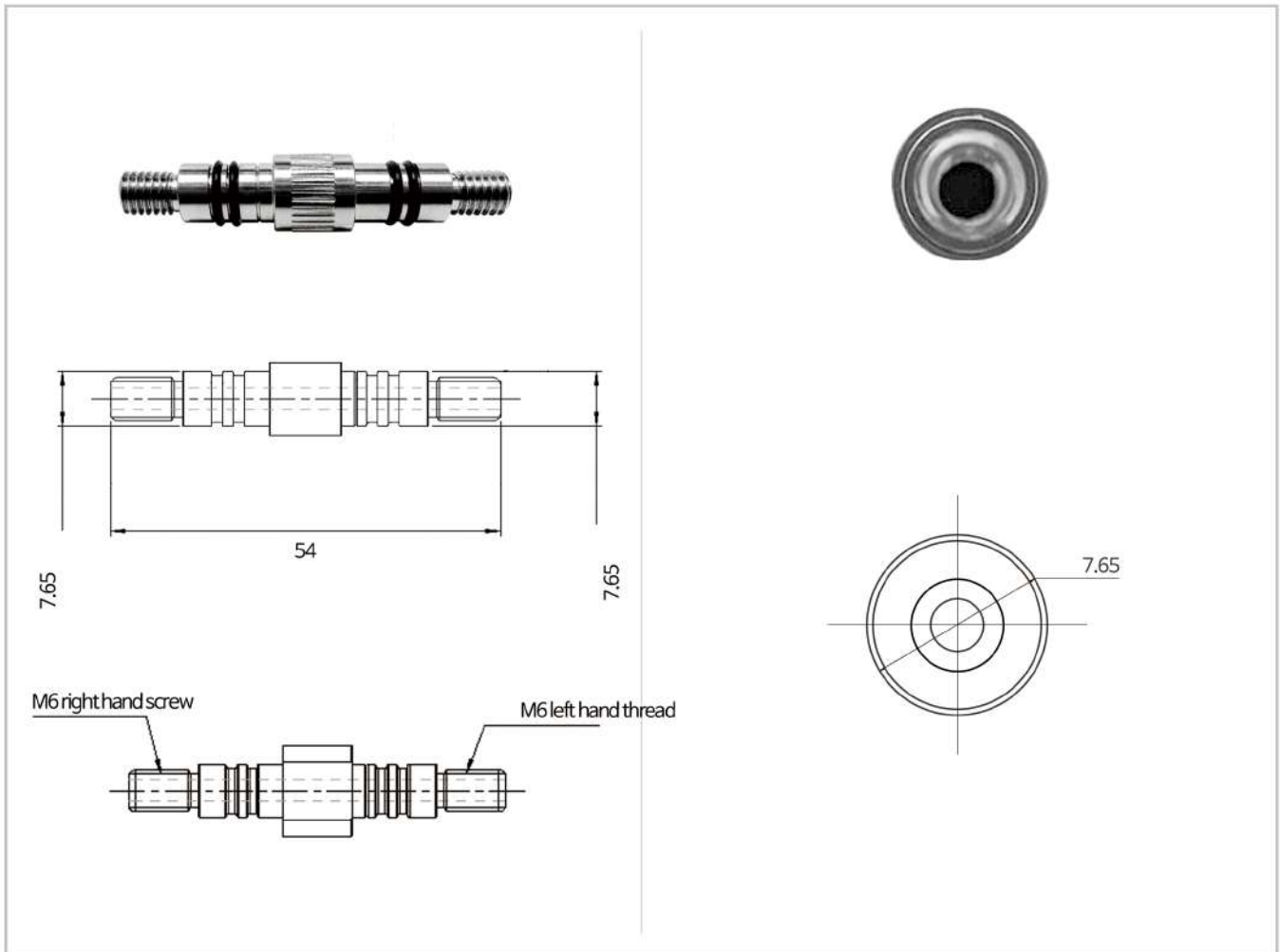
Model Name	Texture	Screw Size	Total length	Outer Diameter
Left FEC-LADPF14 Right FEC-RADPF14	SUS304	M6:1/4	44	14



FEC-DTCN0 Easy Connector M6:M6 Joint

A component that connects tubes to tubes in an easy connector tube system.

Unit: mm



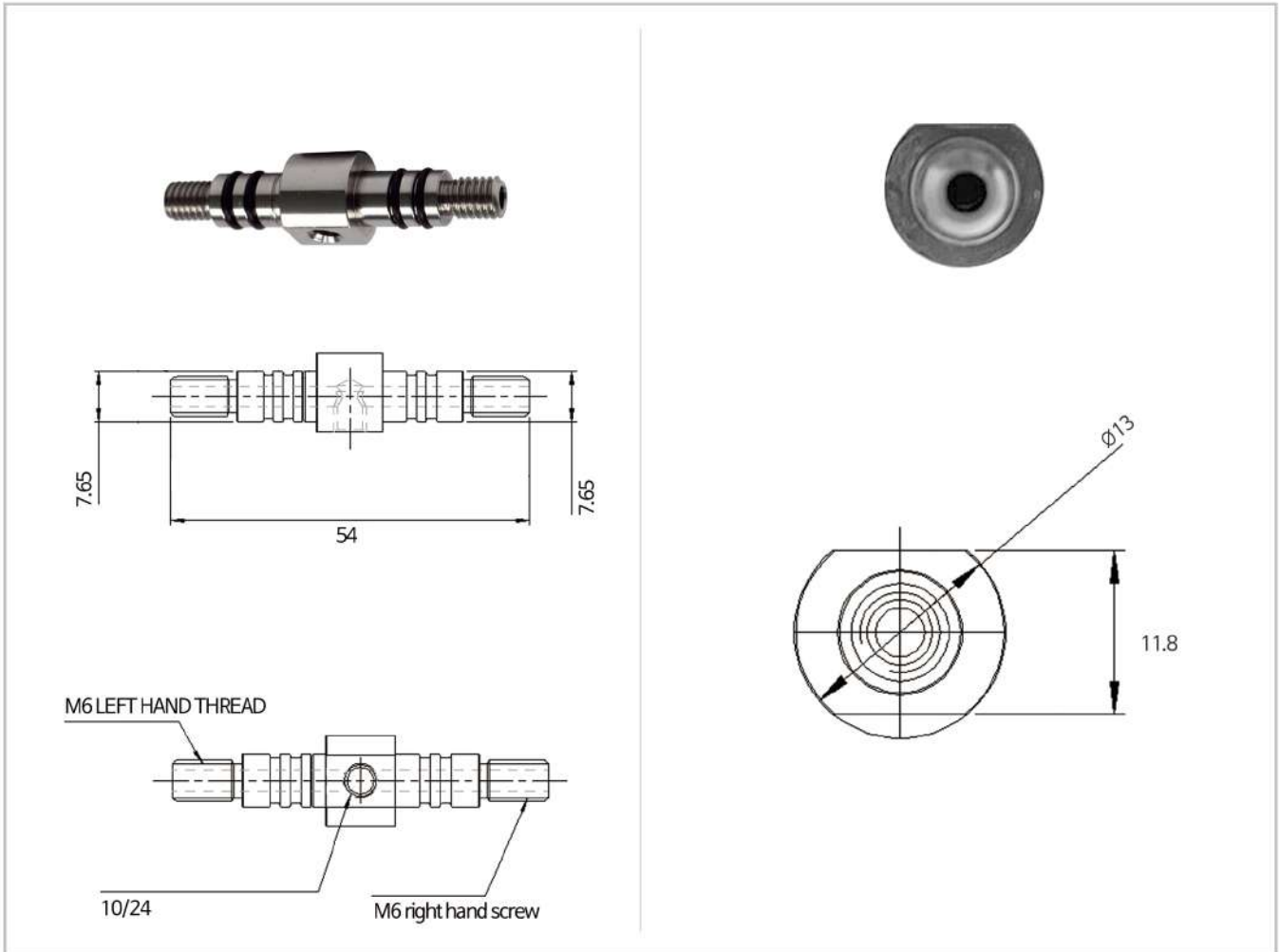
Model Name	Texture	Screw Size	Total length	Outer Diameter
FEC-DTCN0	SUS304	M6:M6	54	7.65



FEC-DTCN1 Easy Connector M6:10/24:M6 T-branch

A component that connects one nozzle to the EasyConnector tube system.

Unit: mm



Model name	Texture	Screw Size	Total length	Outer Diameter
FEC-DTCN1	SUS304	M6:10/24:M6	54	13

FILTERTECH EASYCONNECTING PRODUCTS

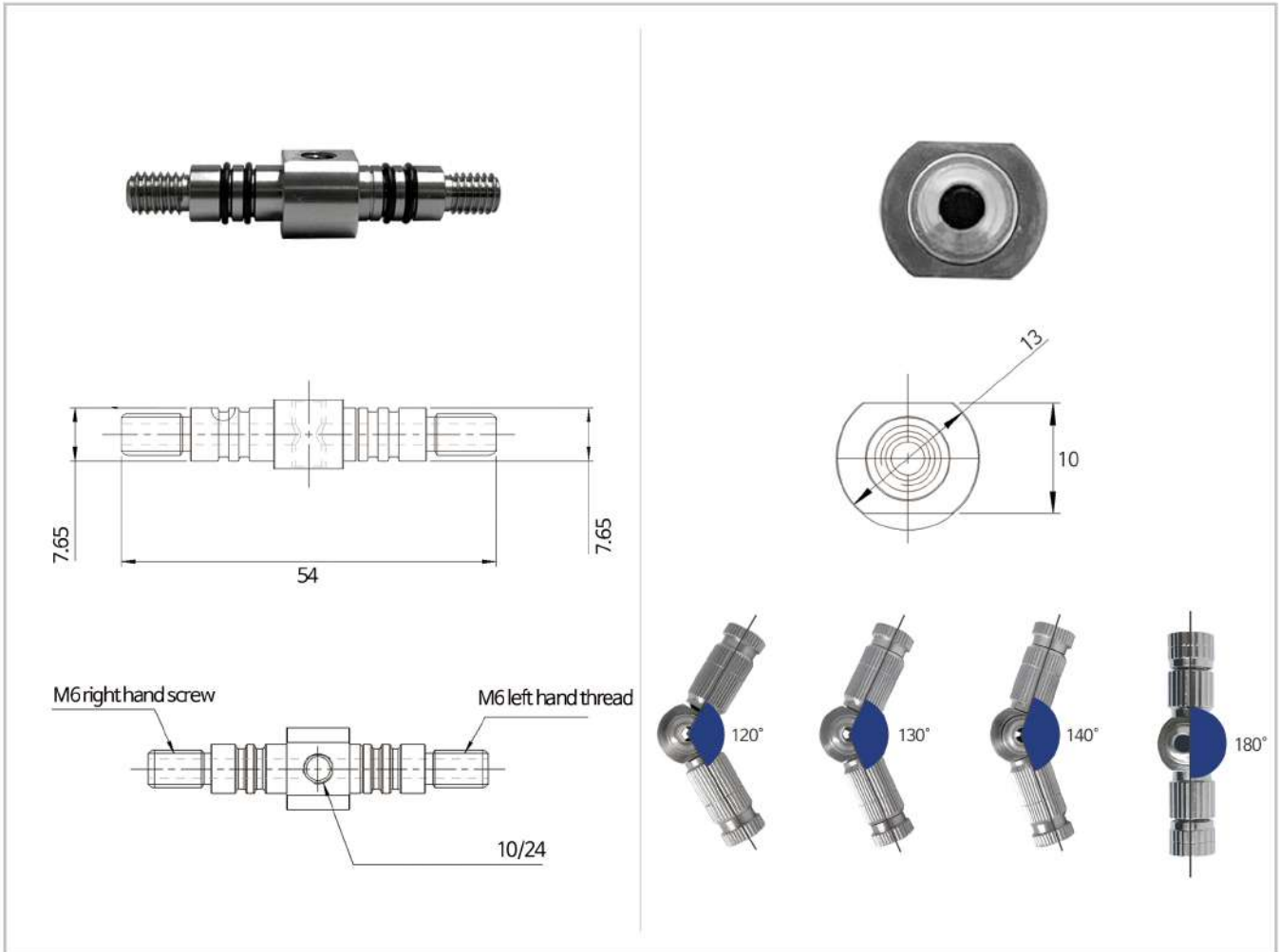
Filtertech Easy Connecting Product



FEC-DTCN212~FEC-DTCN218 Easy Connector M6:10/24:M6 Plus (+) Branch

A component that connects two nozzles to an easy connector tube system.

Unit: mm



Model Name	Texture	Screw Size	Angle	Total Length	Outer Diameter
FEC-DTCN218	SUS304	M6:10/24:M6	180°	54	13
FEC-DTCN214			140°		
FEC-DTCN213			130°		
FEC-DTCN212			120°		

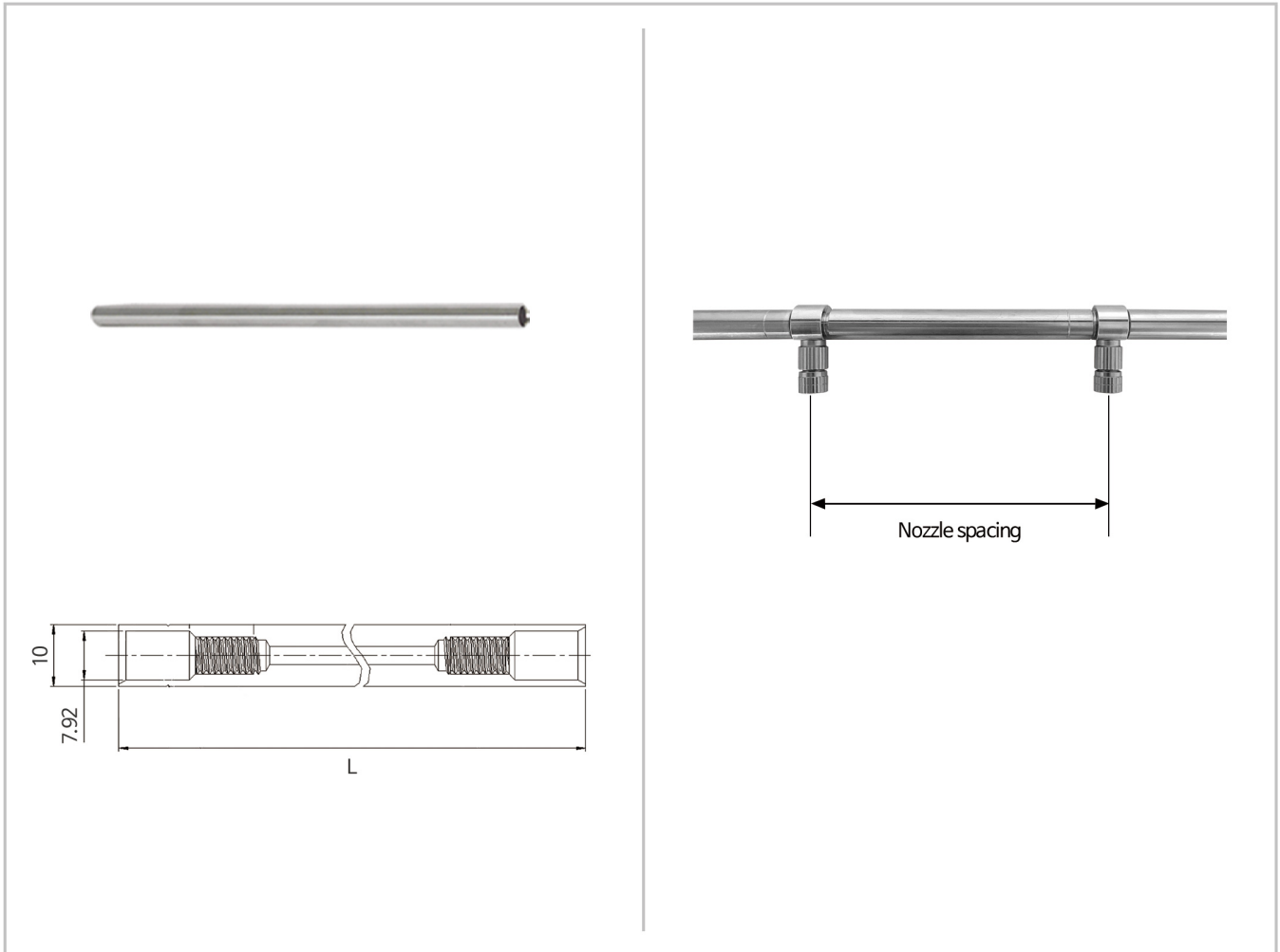


FEC-DTB0050~FEC-DTB1000 이지컨넥터 3/8 튜브

Straight tubes that are the basis of the Euro

50mm, 100mm, 200mm, 300m, 400mm, 500mm, 800mm, 1000mm

Unit: mm



Model name	Texture	Screw size	L length	Nozzle Spacing	Outer Diameter
FEC-DTB0050	SUS304	M6	41	50	10
FEC-DTB0100			88	100	
FEC-DTB0200			188	200	
FEC-DTB0300			288	300	
FEC-DTB0400			388	400	
FEC-DTB0500			488	500	
FEC-DTB0800			588	600	
FEC-DTB1000			988	1000	

FILTERTECH EASYCONNECTING PRODUCTS

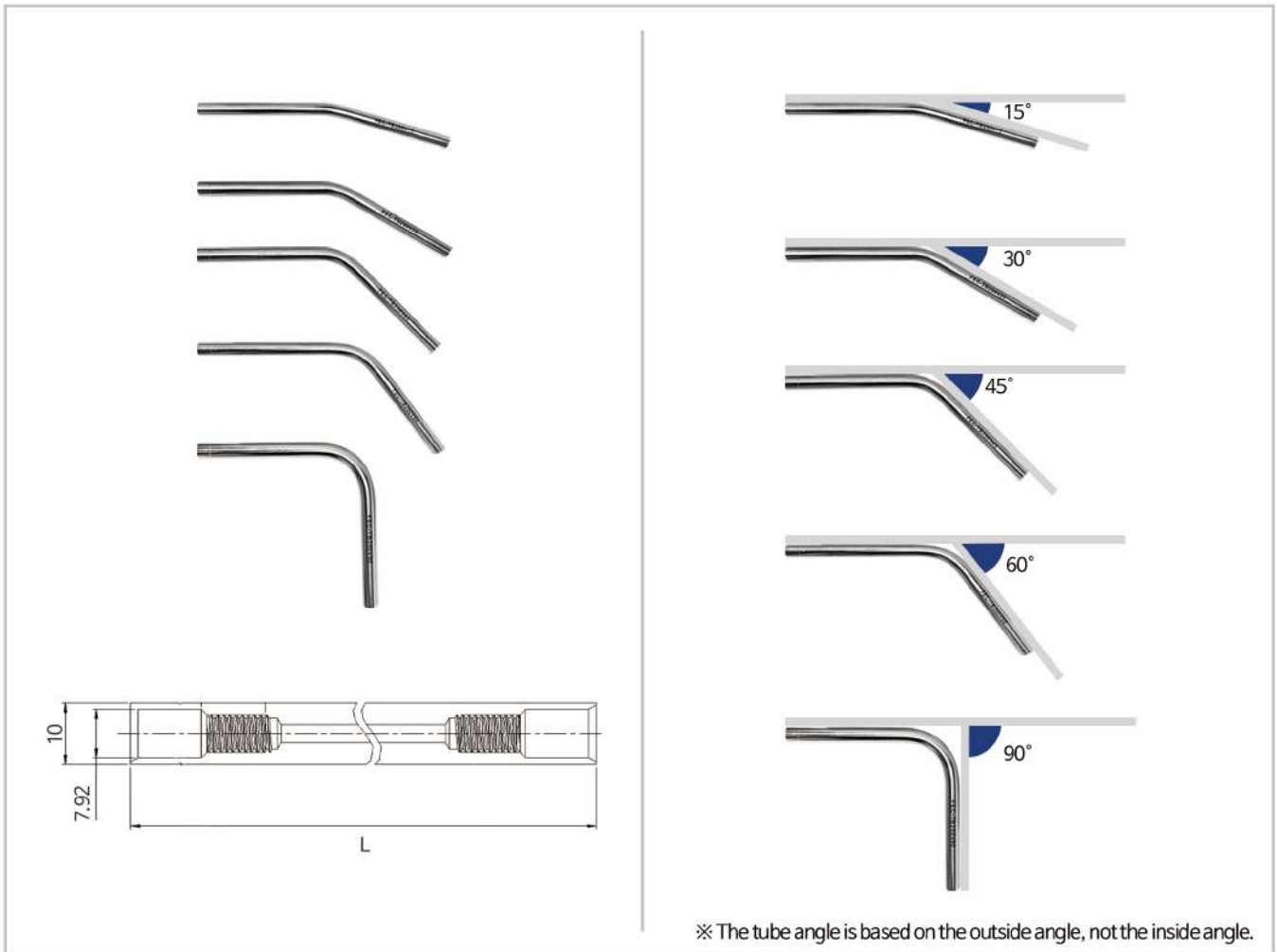
Filtertech Easy Connecting Product



FEC-DTB200V15~FEC-DTB200V90

Curved tube that can change the angle of the euro
15°, 30°, 45°, 60°, 90°

Unit: mm

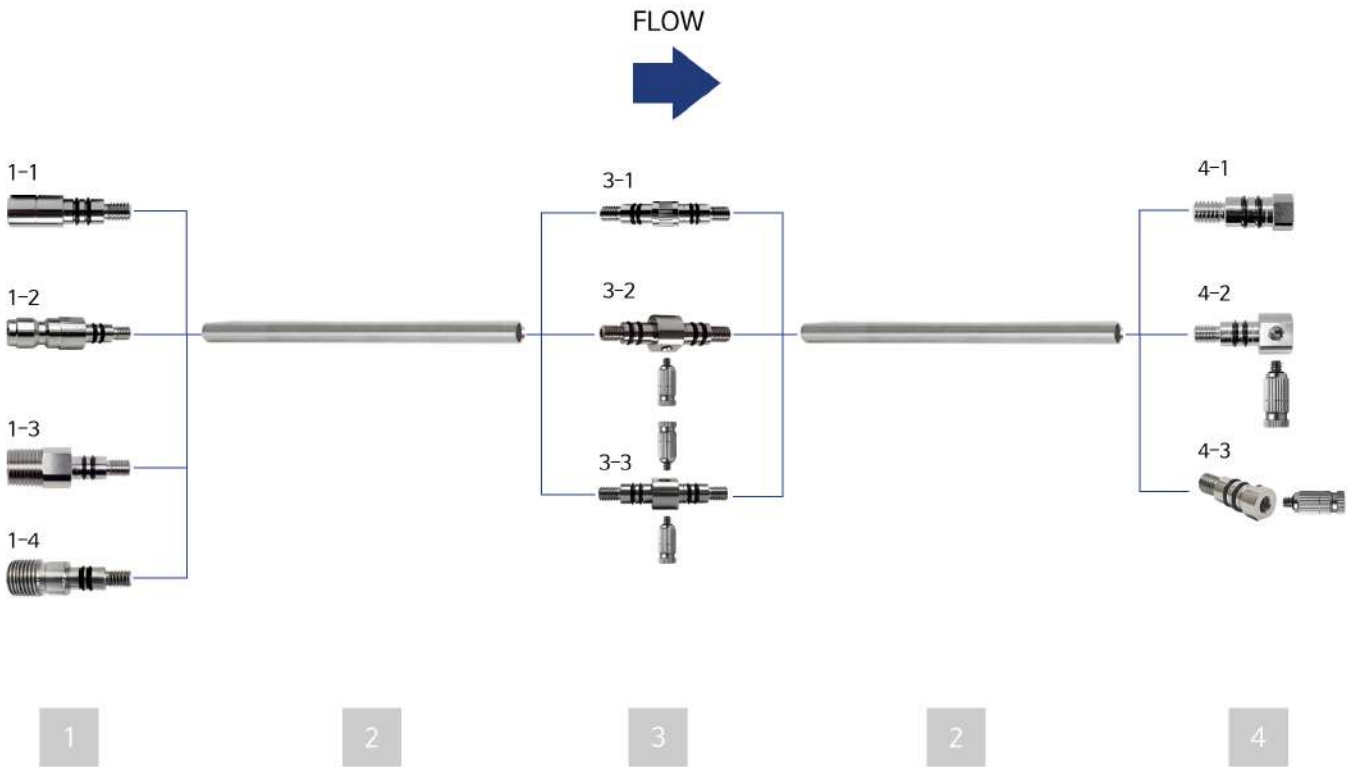


Model Name	Texture	Screw Size	Angle	L length	Outer Diameter
FEC-DTB200V15	SUS304	M6	15°	200	10
FEC-DTB200V30			30°		
FEC-DTB200V45			45°		
FEC-DTB200V60			60°		
FEC-DTB200V90			90°		

FILTERTECH EASYCONNECTING COMBINATION EXAMPLE

Filtertech Easy Connecting Example of Combination

Combination example



제품 결합순서

Combination Order	Product Name	Model Name	Standard
1	1-1 Easy Connector M6:3/8 Ferrule	FEC-LADST38 / FEC-RADST38	M6:3/8
	1-2 Easy Connector M6:1/4 QD	FEC-LADQD14 / FEC-RADQD14	M6:1/4
	1-3 Easy Connector M6:1/4 NPT	FEC-LADPT14 / FEC-RADPT14	M6:1/4
	1-4 Easy Connector M6:1/4 PF5	FEC-LADPF14 / FEC-RADPF14	M6:1/4
2	2 Easy Connector M6 Tube	FEC-DTB0050~FEC-DTB1000	-
3	3-1 Easy Connector M6:M6 Joint	FEC-DTCN0	M6:M6
	3-2 Easy Connector M6:10/24:M6 T Branch	FEC-DTCN1	M6:10/24:M6
	3-3 Easy Connector M6:10/24:M6 Plus(+) Branch	FEC-DTCN212~FEC-DTCN218	M6:10/24:M6
4	4-1 Easy Connector M6 End	FED-LED / FED-RED	M6
	4-2 Easy Connector M6:10/24 Nozzle End L Type	FED-LEDLN1 / FED-REDLN1	M6:10/24
	4-3 Easy Connector M6:10/24 Nozzle End I Type	FED-LEDIN1 / FED-REDIN1	M6:10/24

THINGS TO CHECK BEFORE CONNECTING FILTERTECH EASYCONNECT

Filtertech Easy Connecting Pre-combination Verification

⚠ Required Preparations Before Joining



Apply a very small amount (the size of a grain of rice) of food grade lubricant (grease) to the O-ring part of all M6 screws before joining and apply it in a circular motion all over.



Apply a very small amount of pipe sealant (the size of a grain of rice) to the threaded portion of all M6 screws before joining and apply it in a circular motion all over.

How to distinguish between left-hand and right-hand threads

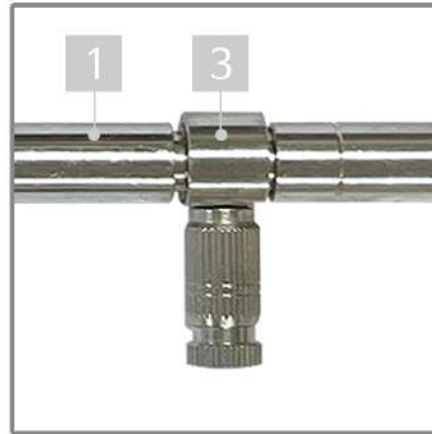


FILTERTECH EASYCONNECTING CONNECTION METHOD

Filtertech Easy Connecting Combination Method

Straight(-) type assembly example

The tube and connecting screws can be connected to provide a straight length extension.



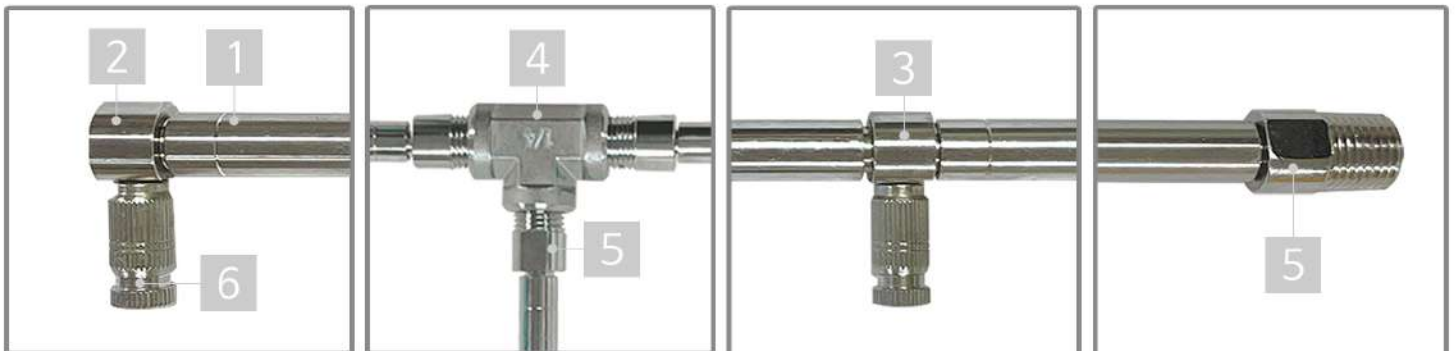
Order	Model Name	Product Name	Division	Product Page
1	FEC-DTB0050	Easy Connector Tube M6	Tube	16P
2	FEC-LEDLN1	Easy Connector M6:10/24 Nozzle End L Type	End	7P
3	FEC-DTCN1	Easy Connector M6:10/24:M6 T Branch	Double Tube Connector	14P
4	FEC-LADPT14	Easy Connector M6:1/4 NPT	Adapter	11P
5	FHMN-1024S6	High Pressure Mist Nozzle 0.1~0.5mm	Nozzle	-

FILTERTECH EASYCONNECTING CONNECTION METHOD

Filtertech Easy Connecting Combination Method

T-type assembly example (T socket)

By connecting the tube and the connecting screw, the length can be extended both straight and vertically.



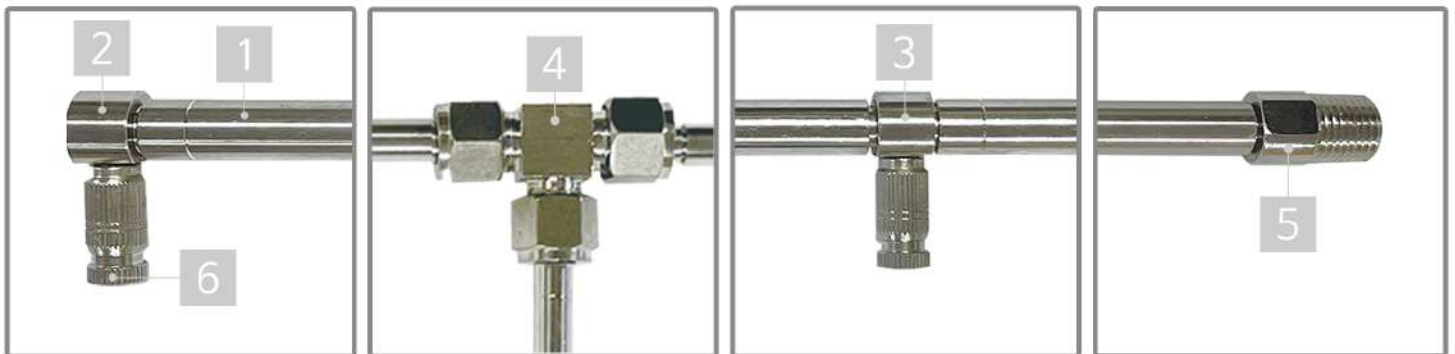
Order	Model Name	Product Name	Division	Product Page
1	FEC-DTB0050	Easy Connector Tube M6	Tube	16P
2	FEC-LEDLN1	Easy Connector M6:10/24 Nozzle End L Type	End	7P
3	FEC-DTCN1	Easy Connector M6:10/24:M6 T Branch	Double Tube Connector	14P
4	FEC-T14F	Socket T Branch 1/4 inch Internal Thread	-	-
5	FEC-LADPT14	Easy Connector M6:1/4 NPT	Adapter	11P
6	FHMN-1024S6	High Pressure Mist Nozzle 0.1~0.5mm	Nozzle	-

FILTERTECH EASYCONNECTING CONNECTION METHOD

Filtertech Easy Connecting Combination Method

T-type assembly example (ferrule)

By connecting the tube and the connecting screw, the length can be extended both straight and vertically.



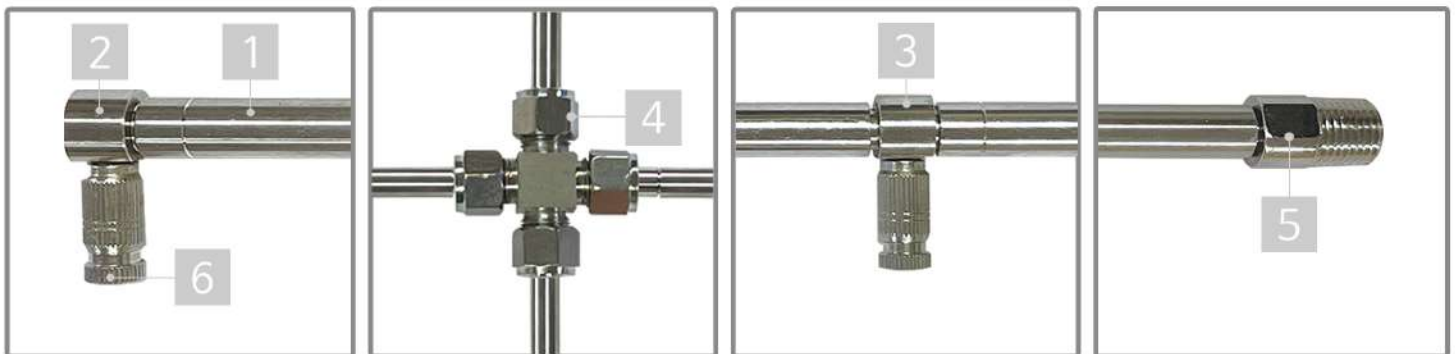
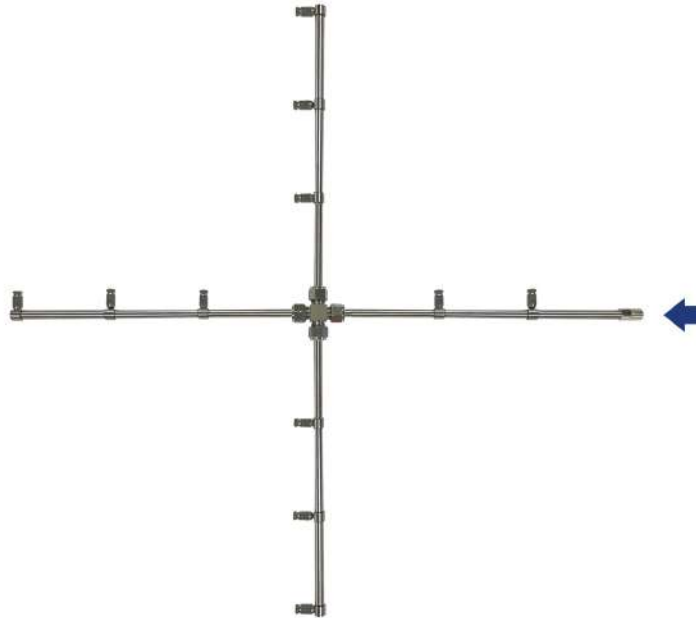
Order	Model Name	Product Name	Division	Product Page
1	FEC-DTB0050	Easy Connector Tube M6	Tube	16P
2	FEC-LEDLN1	Easy Connector M6:10/24 Nozzle End L Type	End	7P
3	FEC-DTCN1	Easy Connector M6:10/24:M6 T Branch	Double Tube Connector	14P
4	FN-6213B	Ferrule T Type High Pressure	-	-
5	FEC-LADPT14	Easy Connector M6:1/4 NPT	Adapter	11P
6	FHMN-1024S6	High Pressure Mist Nozzle 0.1~0.5mm	Nozzle	-

FILTERTECH EASYCONNECTING CONNECTION METHOD

Filtertech Easy Connecting Combination Method

Plus(+) type assembly example

By connecting the tube and the connecting screw, the length can be extended horizontally and vertically.



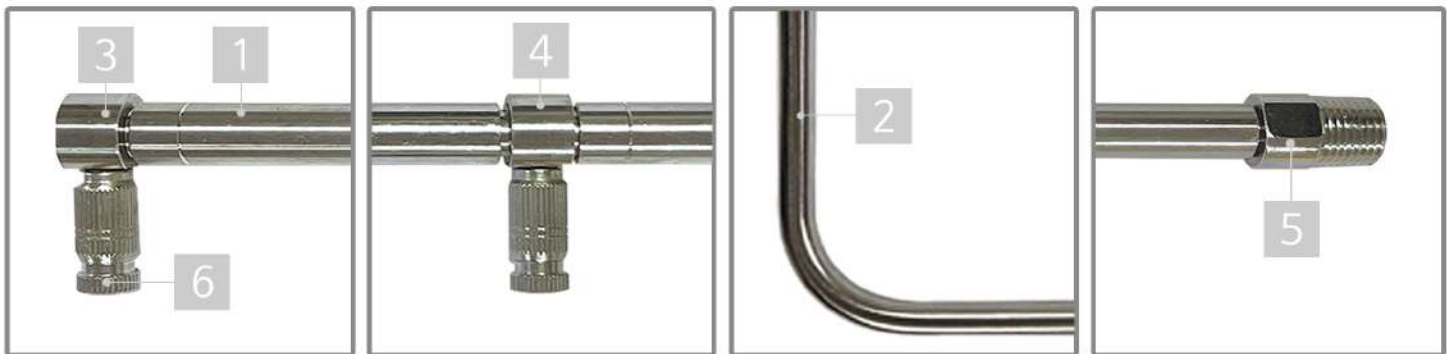
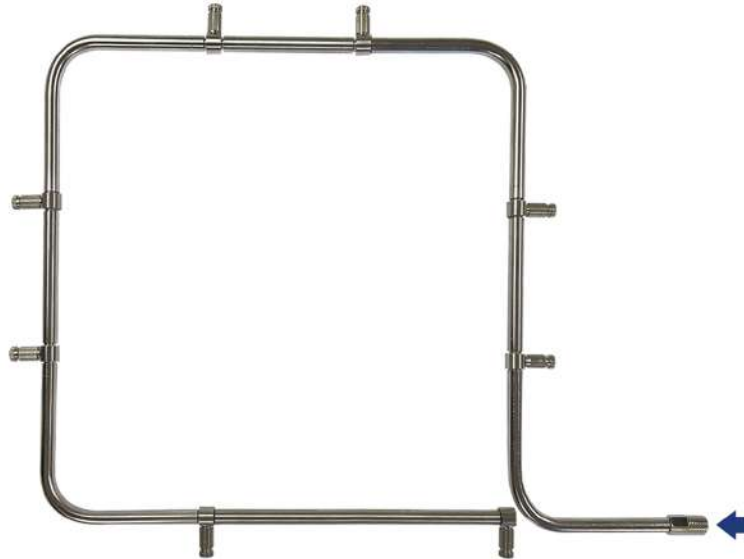
Order	Model Name	Product Name	Division	Product Page
1	FEC-DTB0050	Easy Connector Tube M6	Tube	16P
2	FEC-LEDLN1	Easy Connector M6:10/24 Nozzle End L Type	End	7P
3	FEC-DTCN1	Easy Connector M6:10/24:M6 T Branch	Double Tube Connector	14P
4	FN-6214B	Ferrule + Type High Pressure	-	-
5	FEC-LADPT14	Easy Connector M6:1/4 NPT	Adapter	11P
6	FHMN-1024S6	High Pressure Mist Nozzle 0.1~0.5mm	Nozzle	-

FILTERTECH EASYCONNECTING CONNECTION METHOD

Filtertech Easy Connecting Combination Method

Square (□) type assembly example

By connecting the tube and the connecting screw, the length can be extended at right angles and vertically.



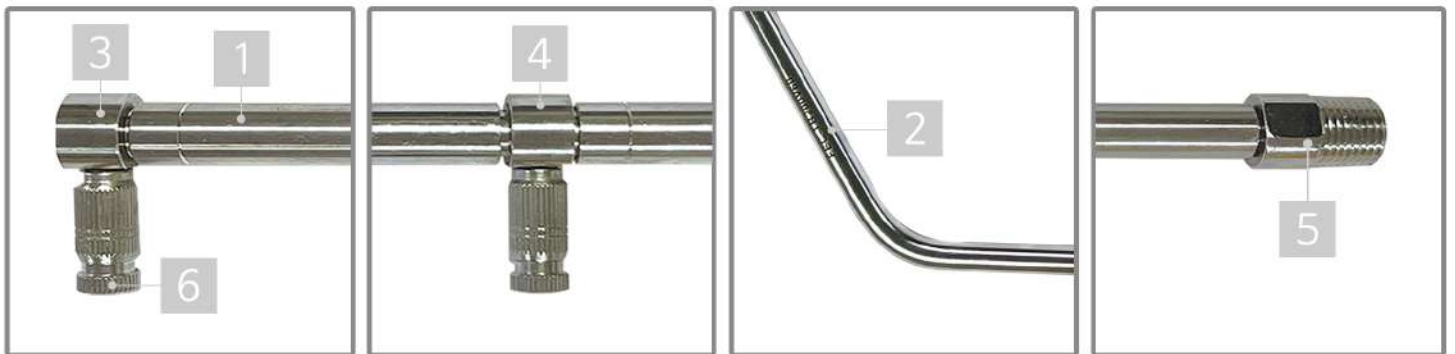
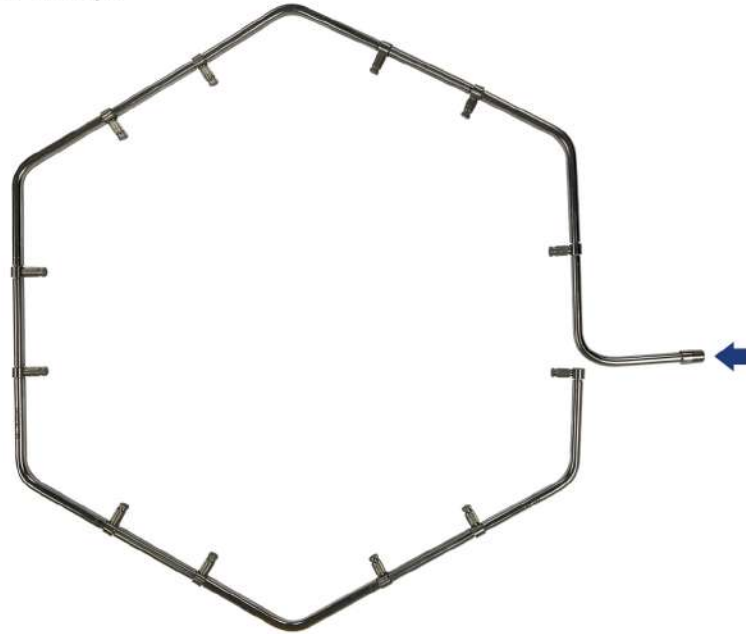
Order	Model Name	Product Name	Division	Product Page
1	FEC-DTB0050	Easy Connector Tube M6	Tube	16P
2	FEC-DTB200V90	Easy Connector Tube M6 90°	Bending Tube	17P
3	FEC-LEDLN1	Easy Connector M6:10/24 Nozzle End L Type	End	7P
4	FEC-DTCN1	Easy Connector M6:10/24:M6 T Branch	Double Tube Connector	14P
5	FEC-LADPT14	Easy Connector M6:1/4 NPT	Adapter	11P
6	FHMN-1024S6	High Pressure Mist Nozzle 0.1~0.5mm	Nozzle	-

FILTERTECH EASYCONNECTING CONNECTION METHOD

Filtertech Easy Connecting Combination Method

Hexagon type assembly example

By connecting the tube and the connecting screw, the length can be extended at right angles and vertically.



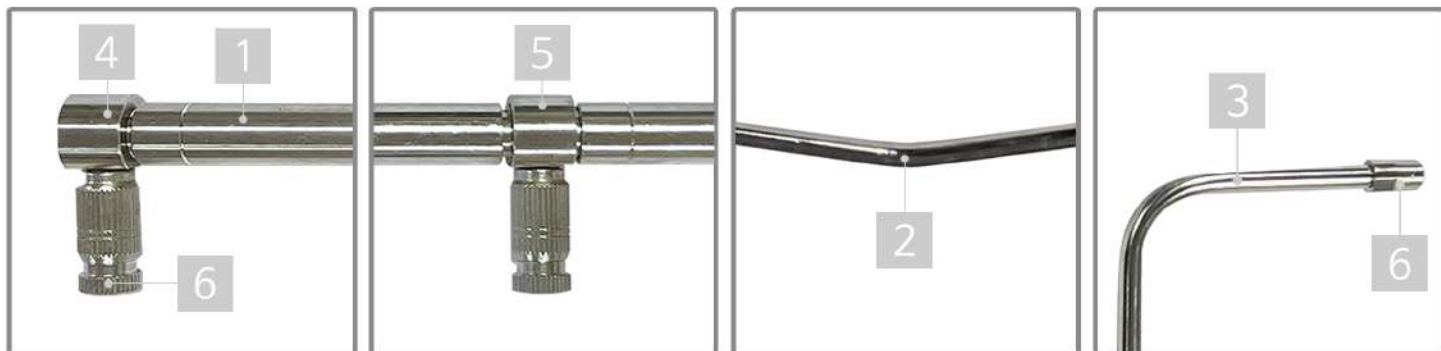
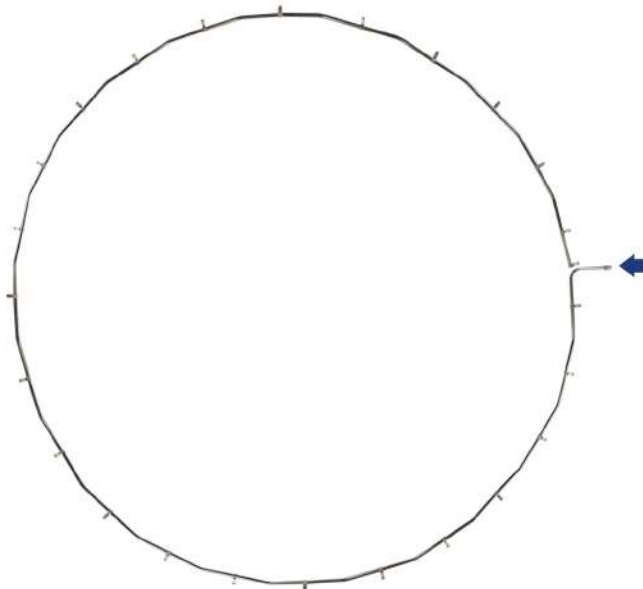
Order	Model Name	Product Name	Division	Product Page
1	FEC-DTB0050	Easy Connector Tube M6	Tube	16P
2	FEC-DTB200V60	Easy Connector Tube M6 60°	Bending Tube	17P
3	FEC-LEDLN1	Easy Connector M6:10/24 Nozzle End L Type	End	7P
4	FEC-DTCN1	Easy Connector M6:10/24:M6 T Branch	Double Tube Connector	14P
5	FEC-LADPT14	Easy Connector M6:1/4 NPT	Adapter	11P
6	FHMN-1024S6	High Pressure Mist Nozzle 0.1~0.5mm	Nozzle	-

FILTERTECH EASYCONNECTING CONNECTION METHOD

Filtertech Easy Connecting Combination Method

Circular (○) type assembly example

By connecting the tube and the connecting screw, the length can be extended at right angles and vertically.

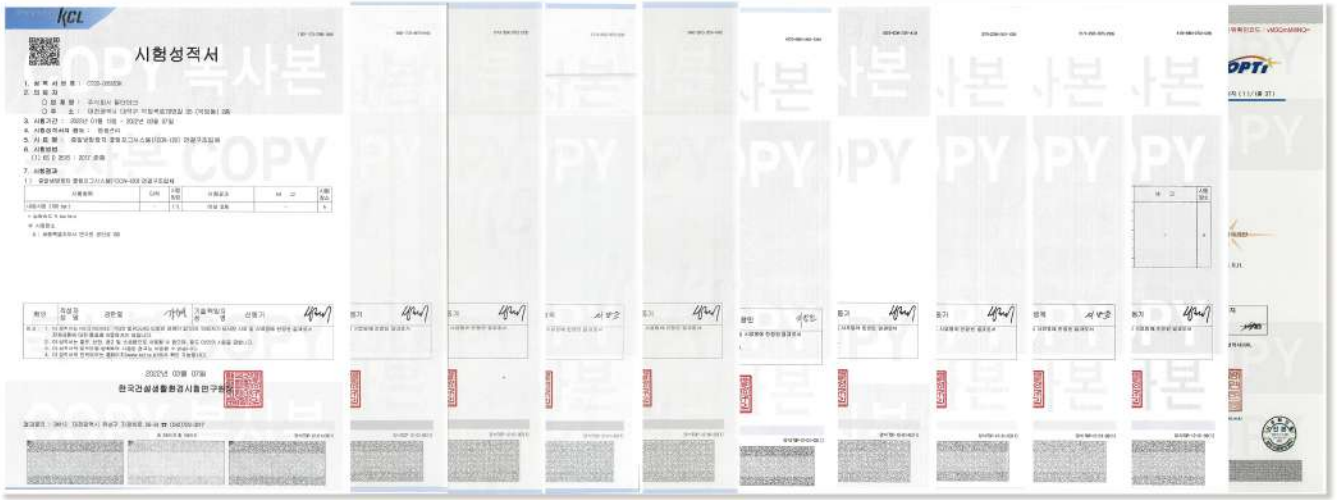


Order	Model Name	Product Name	Division	Product Page
1	FEC-DTB0050	Easy Connector Tube M6	Tube	16P
2	FEC-DTB200V15	Easy Connector Tube M6 15°	Bending Tube	17P
3	FEC-DTB200V90	Easy Connector Tube M6 90°	Bending Tube	17P
4	FEC-LEDLN1	Easy Connector M6:10/24 Nozzle End L Type	End	7P
5	FEC-DTCN1	Easy Connector M6:10/24:M6 T Branch	Double Tube Connector	14P
6	FEC-LADPT14	Easy Connector M6:1/4 NPT	Adapter	11P
7	FHMN-1024S6	High Pressure Mist Nozzle 0.1~0.5mm	Nozzle	-

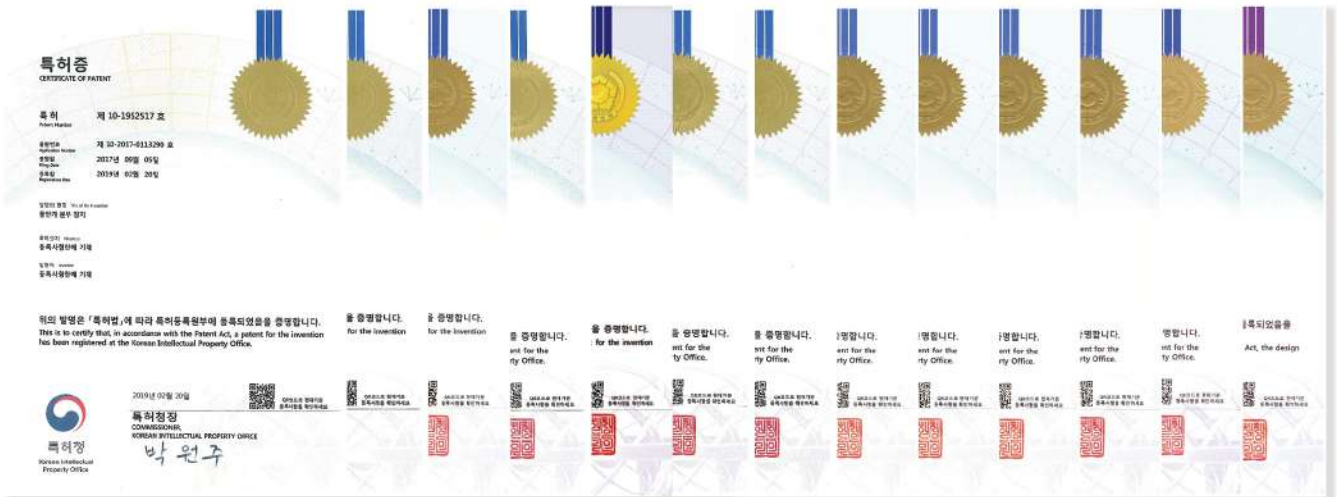
PROPERTY RIGHTS, PERFORMANCE, AND QUALITY CERTIFICATION STATUS

Filtertech Easy Connecting Intellectual Property Rights

Test Report (KCL test report, KOPTi test report)



A Patent Certificate



Performance/Quality Certification

(ISO, KC Certification, QMark Certification, ICT, Performance Certificate)



CONSTRUCTION CASE

Filtertech Easy Connecting System Construction Case



Pond in front of the National Sejong Arboretum's Four Seasons Greenhouse



Giheung Lotte Premium Outlet



National Sejong Arboretum Living Garden Shelter



Entire section of the pine tree path at the entrance to the National Sejong Arboretum



Daejeon Yuseong-gu Office Hot Spring Activating District Hot Spring Tower



National Sejong Arboretum Wooden Bridge



KT&G Air Conditioner Humidification Control System

CONSTRUCTION CASE

Filtertech Easy Connecting System Construction Case



Tongyeong Smart City Challenge Seoho Market



Tongyeong Smart City Challenge Central Market



Seoul Gocheok Neighborhood Market



National Baekdudaegan Arboretum Exhibition Hall



In front of Daejeon Jung-gu Office Daerim Building



BAT KOREA Air Conditioner Humidification Control System



Daejeon Hyundai Premium Outlet

CONSTRUCTION CASE

Filtertech Easy Connecting System Construction Case



Gwanggyo Lake Park Light Wave Festival



Giheung Lotte Premium Outlet Playground



Hwanggan rest area



Giheung Lotte Premium Outlet



Daejeon Samik Sowol Apartment



Outside the Baekdudaegan Arboretum Exhibition Hall



Sejong Arboretum Flowerbed

OTHER CONSTRUCTION CASES

Filtertech Easy Connecting System Other Construction Case



In front of Daejeon City Hall



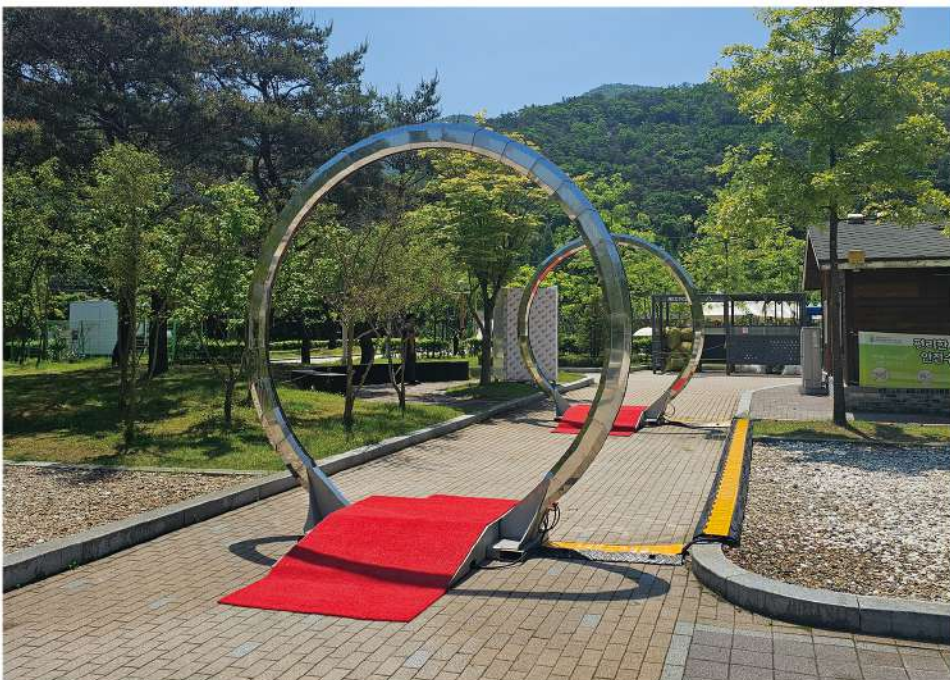
Knife Plus Outdoor Cooling Fog System



Sejong National Children's Museum



ETRI Korea Electronics and Telecommunications Research Institute



Daejeon 2024 Science Village Festival



Gwanggyo Lake Park Light Wave Festival



In front of the National Sejong Arboretum Observatory

OTHER CONSTRUCTION CASES

Filtertech Easy Connecting System Other Construction Case



2023 Daejeon 0 o'clock festival



Daejeon Daedeok-gu Mannam Children's Park



Uijeongbu Jungnangcheon



Western Galleria Time World



HD Hyundai Chemical



Near Najon Station, Bukpyeong-myeon, Gangwon-do



Chungnam Buyeo Gunnamji Pergola

OTHER CONSTRUCTION CASES

Filtertech Easy Connecting System Other Construction Case



Gochang Wolgok Park



2024 Daejeon 0 o'clock festival



Daejeon Beoplong Village Square



2024 Daejeon 0 o'clock festival



Korea Electronics and Telecommunications Research Institute



Daejeon Kolon Skychae



2024 Daejeon 0:00 Festival (Mokcheok Bridge)



FILTERTECH

www.water777.co.kr

www.filtertech.co.kr

FILTERTECH

35, DEAGAMBUK-RO 70BEON-GIL,
DAEDEOK-GU, DAEJEON, KOREA

FAX. 042-628-7871

TEL. 042-624-7871

E-mail filtertech@hanmail.net